

REVOLVASHADE™



Premium Quality Cantilever Umbrellas





About Revolvashade

For over 30 years Revolvashade® has been a trusted supplier of premium quality Cantilever umbrellas to Australia's homes and leading businesses. Meticulously crafted, our premium umbrellas provide unparalleled shade protection, exuding sophistication and unwavering quality.

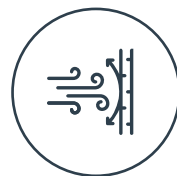


Why Revolvashade?



100% UV protection

Combining the highest quality materials and construction to provide exceptional UV protection.



Wind resistance up to 110km/hr

We lead the industry with up to 92.5km and 110km/hr wind testing.



Up to 8 years warranty

Built for resilience. One Revolvashade umbrella will outlast almost any other regular outdoor umbrella.



Patented technology

Privacy, protection, ease of use, and near silent operation, you won't find anywhere else.



100% Australian made & owned

Designed and manufactured in Queensland for over 30 years.



Customisable to suit any colour scheme

Choose your size, shape and colours of your frame and canopy.

The process

1.

Request a quote

So that we can provide an accurate quote, we kindly ask that you make your request via our website, or through one of our various retailers, whom you can also find via our website.

2.

Custom production

Every Revolvashade® umbrella is made to order locally in Queensland. Upon quote acceptance, our sewing specialists and assemblers will produce and quality test your umbrella. Production times are typically around four weeks. We will also have a selection of stock immediately available of our most popular combinations.

3.

Delivery

Packaged for protection, your umbrella will be delivered to your nominated address. You will also receive the product warranty and installation instructions upon delivery.

4.

Installation

Revolvashade® products require self-installation, made easy with our detailed instructions and step-by-step guide. Alternatively, when you order through a Revolvashade retailer, you can liaise individually with the retailer regarding their installation options.

5.

After care

Every Revolvashade® umbrella is quality assured with long-term warranty.

Throughout the entire process, we're with you every step of the way to ensure your expectations are exceeded. If you have any questions about our process, please get in touch. We're more than happy to assist, any time.



Premium Cantilever Umbrellas

Residential

Commercial

☑ Deluxe

☑ Centre pole

☑ Ultimate

☑ Cantilever

	Residential		Commercial	
	Deluxe	Ultimate	Cantilever	Centre pole
100% UV protection	✓	✓	✓	✓
Single tilt	✓			
Double tilt	(Upgrade optional)	✓		
Height adjustability		✓		
Wind tested (up to)	92.5km/hr	92.5km/hr	110km/hr	110km/hr
Frame warranty	8 years	8 years	8 years	8 years
Fabric warranty	5 years	5 years	5 years	5 years
360 rotation	✓	✓	✓	
Octagonal canopy	✓	✓	✓	✓
Square canopy	✓		✓	✓
100% Acrylic canvas	✓	✓	Fire retardant material available	Fire retardant material available
Cost (from)	\$4,415	\$6,395	\$5,445	\$5,445

Revolvashade Deluxe Umbrella

Most popular



Residential

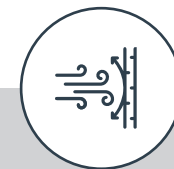
Luxury shade for pool, deck, and dining areas.
From \$4,415

Standard Inclusions:

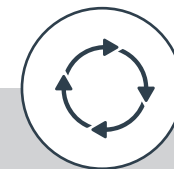
- Frame
- Octagonal or square canopy
- Boltdown or inground base
- Single tilt as standard – allows for an almost vertical tilt
- Double tilt upgrade optional – allows additional canopy tilting on side/side axis
- Storage Cover optional – \$450



100% UV protection



Wind Resistance up to 92.5km /hour



360 degree rotation



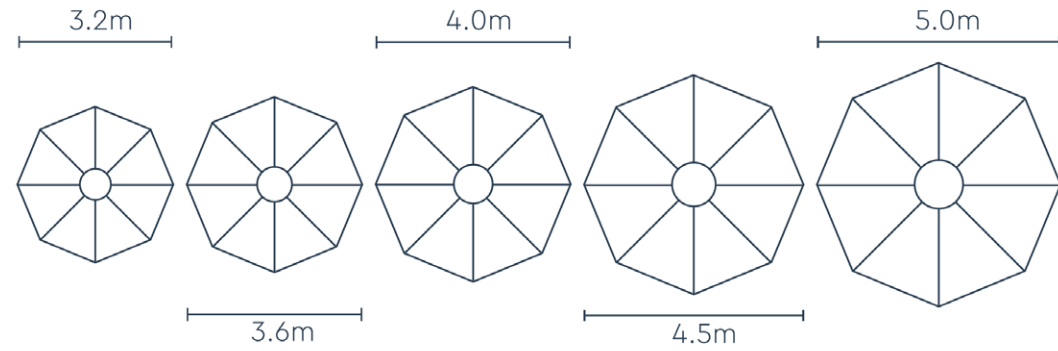
8 year frame warranty



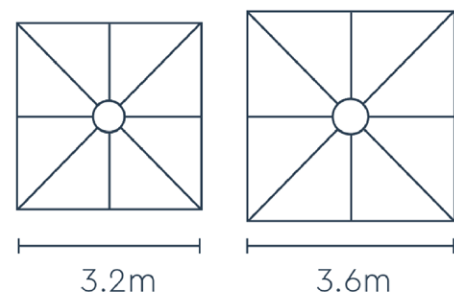
5 year canopy warranty

Shapes and Sizes

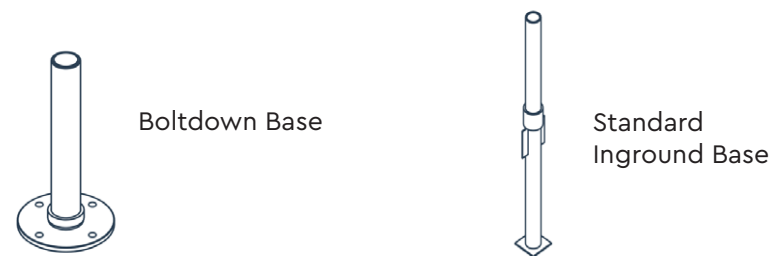
Octagonal Deluxe



Square Deluxe

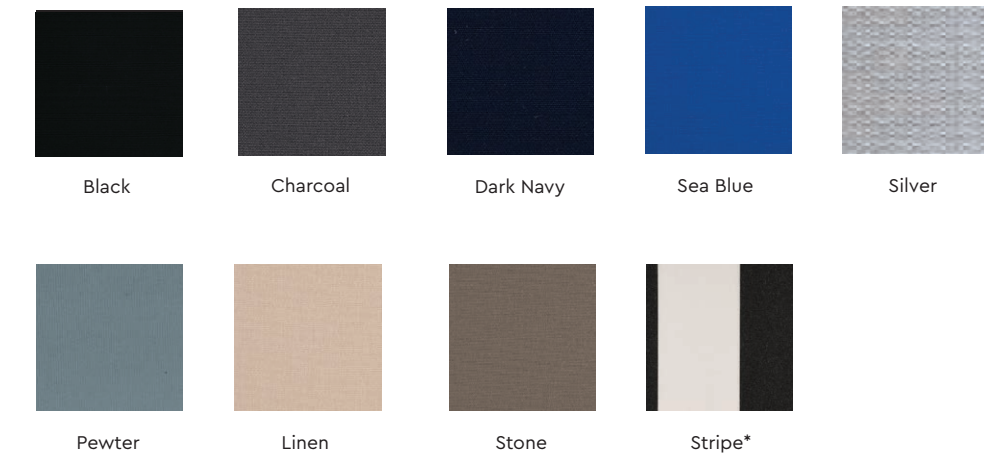


Base Options



Canopy Colours

All canopies are made with 100% solution-dyed acrylic canvas for premium strength and fade resistance.



*Striped colours are available in Black & White, Dark Blue and White for an additional fee
Striped Canopy Colour is only available in Octagonal 3.2m, 3.6m & 4.0m

Frame Finishes

High-end UV resistant powdercoated finish.



Revolvashade Ultimate Umbrella

Residential

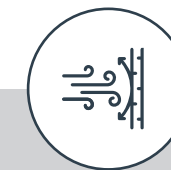
Luxury shade for pool, deck and dining areas with height adjustability.

Standard Inclusions:

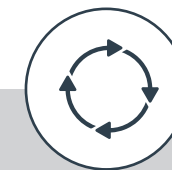
- Height adjustable canopy (4.0m Octagonal)
- Double tilt function
- Storage cover
- Inground or stainless bolt-down base
- Extruded aluminium frame
-
-



100% UV protection



Wind Resistance up to 92.5km /hour



360 degree rotation



8 year frame warranty

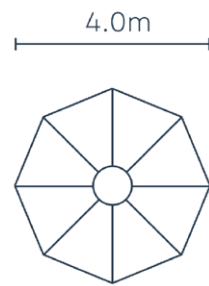


5 year canopy warranty

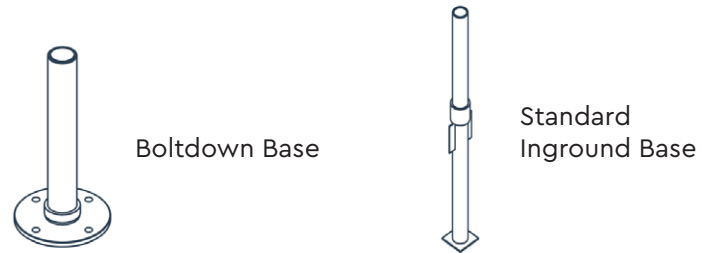


Shapes and Sizes

Octagonal Deluxe



Base Options



Canopy Colours

All canopies are made with 100% solution-dyed acrylic canvas for premium strength and fade resistance.



*Striped colours are available in Black & White, Dark Blue and White

Frame Finishes

High-end UV resistant powdercoated finish.





Revolvashade Commercial Cantilever Umbrella

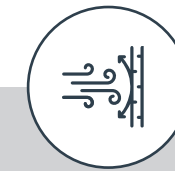
Luxury shade and protection for resorts, hotels, clubs, kindergartens, and any other outdoor setting.
From \$5,445

Standard Inclusions:

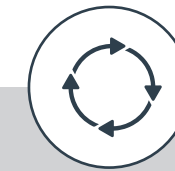
- Frame
- Octagonal or square canopy
- Bolt-down or inground base



100% UV protection



Wind Resistance up to 110km /hour



360 degree rotation



8 year frame warranty



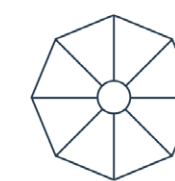
5 year canopy warranty

Shapes and Sizes

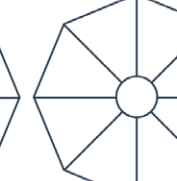


Octagonal

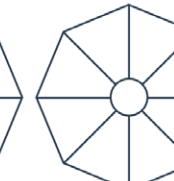
3.2m



4.0m



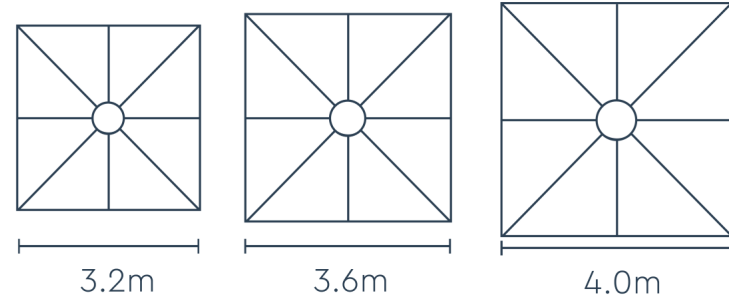
3.6m



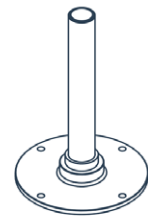
4.5m



Square



Base Options



Large Bolt-down Base

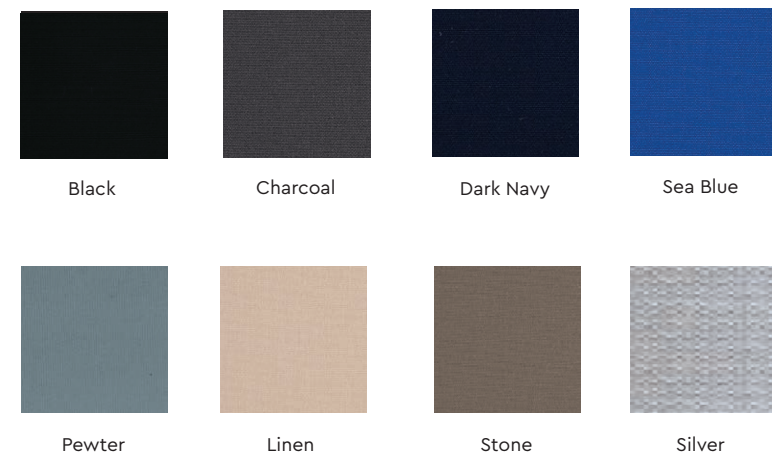


Large Inground Base

Canopy Colours & Material

100% Acrylic Canvas

100% solution-dyed acrylic canvas for premium strength and fade resistance.



Fire Retardant Melher FR580

- PVC Coated Low-wick polyester base fabric
- PVDF lacquer to the top side*
- UV Stabilised
- Fire Retardant (Tested to AS1530.2 & AS1530.3)
- Anti-Fungicides
- Wide Colour Selection

Premium



Matte



Metallics



Frame Finishes

High-end UV resistant powdercoated finish.





Revolvashade Centre Pole Commercial

Luxury shade and protection for resorts, hotels, clubs, kindergartens, and any other outdoor setting.
From \$5,445

Standard Inclusions:

- Frame
- Octagonal or square canopy
- Bolt-down or inground base



100% UV protection



Wind Resistance up to 110km /hour



8 year frame warranty

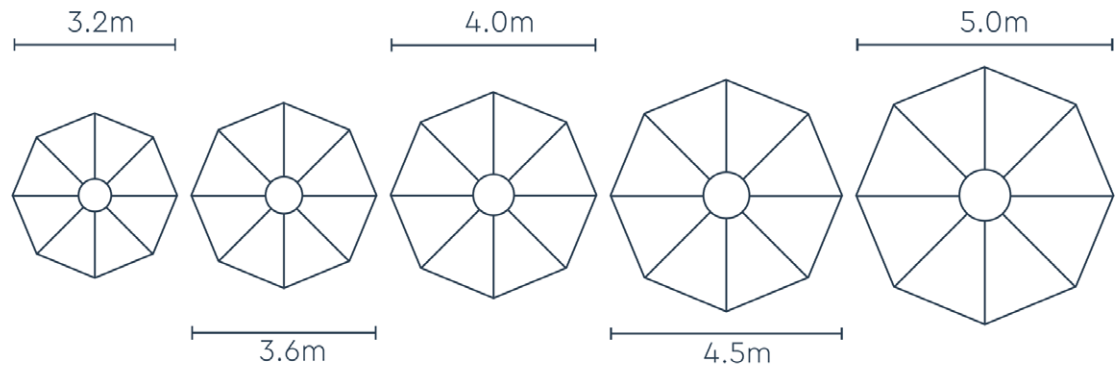


5 year canopy warranty

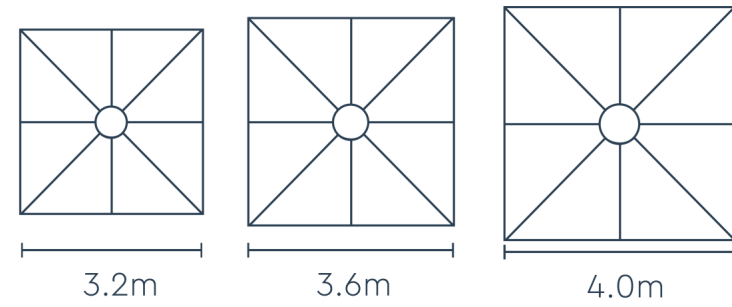
Shapes and Sizes



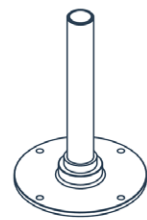
Optagonal



Square



Base Options



Large
Boltdown Base

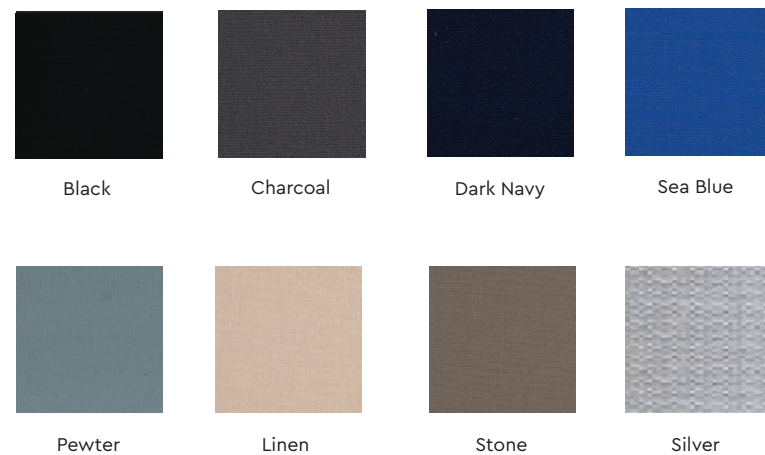


Large
Inground Base

Canopy Colours & Material

100% Acrylic Canvas

100% solution-dyed acrylic canvas for premium strength and fade resistance.



Fire Retardant Melher FR580

- PVC Coated Low-wick polyester base fabric
- PVDF lacquer to the top side*
- UV Stabilised
- Fire Retardant (Tested to AS1530.2 & AS1530.3)
- Anti-Fungicides
- Wide Colour Selection

Premium



Matte



Metallics



Frame Finishes

High-end UV resistant powdercoated finish.





Shade where and when you need it

Place an enquiry today and let's work together to create your ideal premium Cantilever umbrella.

Place your enquiry today
revolvashade.com/contact

Find your nearest retailer
revolvashade.com/wheretobuy

QLD	
<p>Revolvashade HQ 2/50 Link Drive, Yatala QLD 4207 (07) 3889 6844</p>	<p>Daydream Leisure Furniture Noosa 1/37 Gibson Rd, Noosaville Noosa QLD 4566 (07) 5449 9336</p>
<p>Living on the Outside Shop B4/103 Duckworth St, Garbutt QLD 4814 (07) 4775 4896</p>	<p>Daydream Leisure Furniture Warana Corner Main Drive &, Nicklin Way, Warana Sunshine Coast QLD 4575 (07) 5493 4277</p>
<p>Ocean Reef Pools Unit 1/1-15 Centurion Dr, Paget Mackay QLD 4740 (07) 4952 6955</p>	<p>Narellan Pools Mackay 8 Grendon St, North Mackay QLD 4740 1300 676 657</p>
<p>Graham's Cool Shades 119 Julie Anne Drive, Rockhampton QLD 4711 0429 024 610</p>	<p>Narellan Pools Whitsundays 1697 Shute Harbour Rd, Cannon Valley QLD 4800 1300 676 657</p>
<p>Lume Outdoor Living 532 Kessels Rd, Macgregor QLD 4109 (07) 3849 3866</p>	<p>Narellan Pools Capricorn Coast 42 Noon Drive, Inverness QLD 4703 0436 306 535</p>
<p>Coastal Blinds 2/43 Commercial Street, Bundaberg 4670 (07) 4152 7334</p>	<p>Narellan Pools Townsville 1-7 Rendle Street, Aitkenvale, QLD 4814 (07) 4728 3794</p>
<p>Brisbane Spa Super Centre 819 Beaudesert Rd, Archerfield QLD South Brisbane QLD 4108 1300 180 743</p>	<p>Narellan Pools Fraser Coast 95-97 Islander Rd, Pinalba QLD 4655 1300 676 657</p>
<p>Bask Outdoor Living 29 Upton St, Bundall, Gold Coast, Queensland 4217 (07) 5592 5256</p>	<p>Burleigh Pool Solutions Jabairu Ave, Burleigh Waters QLD 4220 0432 080 112</p>
<p>Shade Solutions Queensland Unit 1/41 Deakin Street Brendale QLD 4500 (07) 3205 9913</p>	<p>Pool Equipment Brisbane 42 Noon Drive Ipswich, QLD 4305 0455 105 800</p>
<p>Tru-Blue Shades Upper Coomera, Gold Coast QLD 4209 0404 840 543</p>	<p>Nexus Pools Gladstone Wakooka Drive Wurdong Heights, QLD 4680 0400 857 277</p>

NEW SOUTH WALES

Creative Canvas Sydney
33/5 Ponderosa Parade,
Warriewood NSW 2102
(02) 9979 6477

Narellan Pools Central West & Blue Mountains
125 Sydney Rd,
Kelso NSW 2795
(02) 6331 4453

Smart Shades Lismore
Pignat Place
Lismore NSW 2480
0415 729 780

Narellan Pools Riverina
86 Hammond Ave,
Wagga Wagga NSW 2650
(02) 6921 8108

Narellan Pools Western Plains
70 Victoria St,
Dubbo NSW 2830
(02) 6884 3117

Nexus Pools Mid North Coast
232 Lake Innes Drive,
Lake Innes, NSW 2446
0421 204 304

ACT

ACT Shade
Unit 2 / 87 Hoskins St,
Mitchell ACT 2911
0418 631 742

VIC

Umbrella Paradise Melbourne
William Road,
Berwick VIC 3806
0458 281 515

Paradise Pools Echuca
1/9 Matong Road, Echuca,
VIC 3564
0419 115 821

NT

Aerosail Engineered Fabric Structures
Unit 3, 101 Coonawarra Road, Winnellie
Darwin NT 0820
(08) 8947 2880

WA

Finbrella
79 Forsyth Street,
O'Connor, WA 6163
0499 266 026



REVOLVASHADE™

Specialists in premium outdoor living spaces.

For stylish, all weather outdoor solutions contact:
07 3889 6844 or email sales@oceanicshade.com

